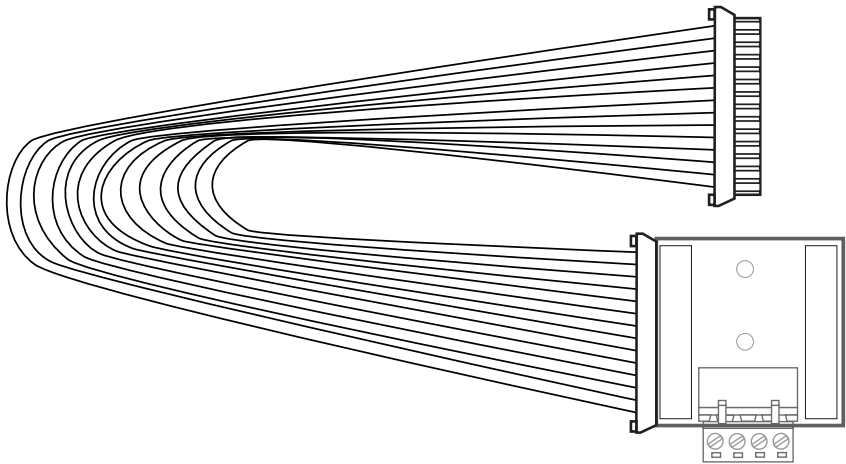


# KCE-ADP manual



Replacement product  
[www.safeline-group.com](http://www.safeline-group.com)

Innovation brought to you from Tyresö, Sweden

02.2023  
KCE-ADP v.1.0.0 EN

© 2023 SafeLine and all the SafeLine products and accessories are copyrighted by law.

# General information

This unit was built with state-of-the-art technology and to generally recognised safety related technical standards currently applicable. These installation instructions are to be followed by all people working with the unit, in both installation and maintenance.

It is extremely important that these installation instructions are made available at all times to the relevant technicians, engineers or servicing and maintenance personnel. The basis prerequisite for safe handling and trouble free operation of this system is a sound knowledge of the basic and special safety regulations concerning conveyor technology, and elevators in particular. The unit may only be used for its intended purpose. Note in particular that, no unauthorised changes or additions may be made inside the unit or individual components.

## Exclusion of liability

The manufacturer is not liable with respect to the buyer of this product or to third parties for damage, loss, costs or work incurred as a result of accidents, misuse of the product, incorrect installation or illegal changes, repairs or additions. Claims under warranty are likewise excluded in such cases. The technical data is the latest available. The manufacturer accepts no liability arising from printing errors, mistakes or changes.

## Declaration of conformity

Download "The declaration of conformity" at our website: [www.safeline-group.com](http://www.safeline-group.com)

## Safety Precautions!

- Only trained professionals, who are authorised to work on the equipment, should install and configure this product.
- This quality product is dedicated for the lift industry. It has been designed and manufactured to be used for its specified purpose only. If it is to be used for any other purpose, SafeLine must be contacted in advance.
- It should not be modified or altered in any way, and should only be installed and configured strictly following the procedures described in this manual.
- All applicable health and safety requirements and equipment standards should be considered and strictly adhered to when installing and configuring this product.
- After installation and configuration this product and the operation of the equipment should be fully tested to ensure correct operation before the equipment is returned to normal use.

Electrical and electronic products may contain materials, parts and units that can be dangerous for the environment and human health. Please inform yourself about the local rules and disposal collection system for electrical and electronic products. The correct disposal of your old product will help to prevent negative consequences for the environment and human health.



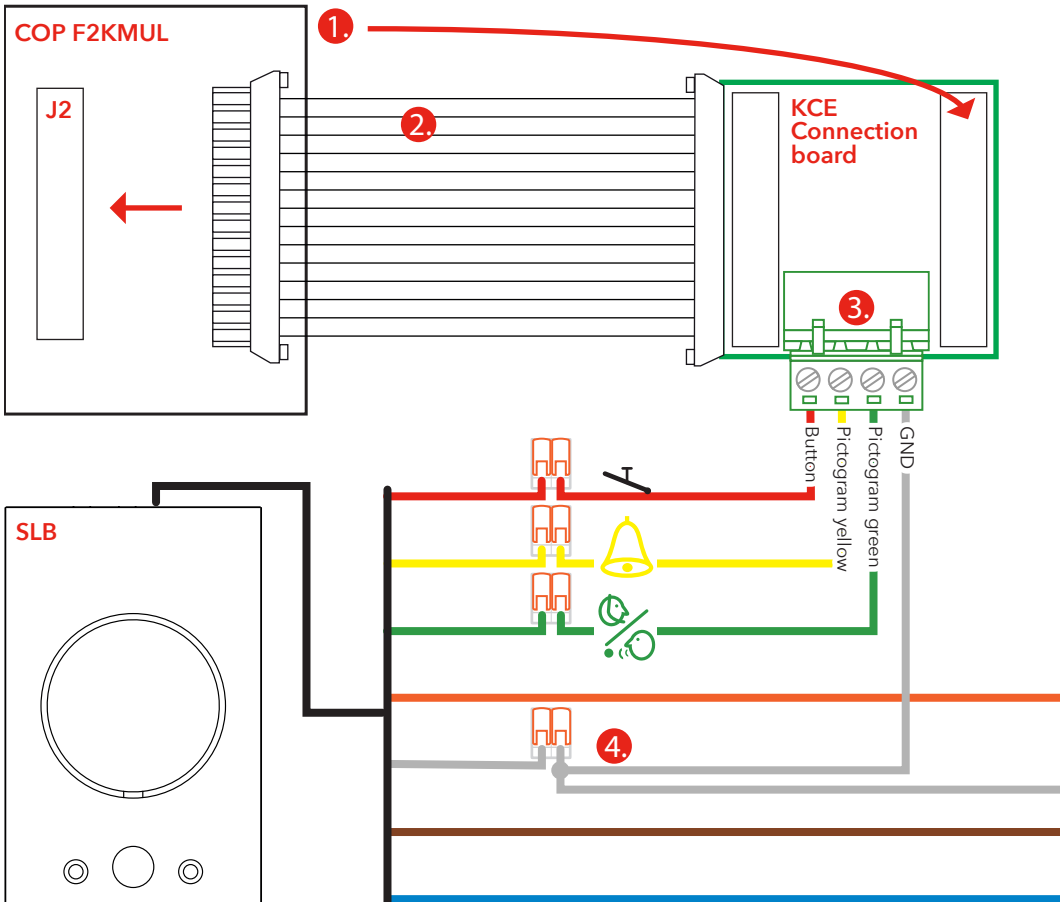
---

# Content

Connecting SL6+ with KCE Cable	4
Connecting MX3 with KCE Cable	6

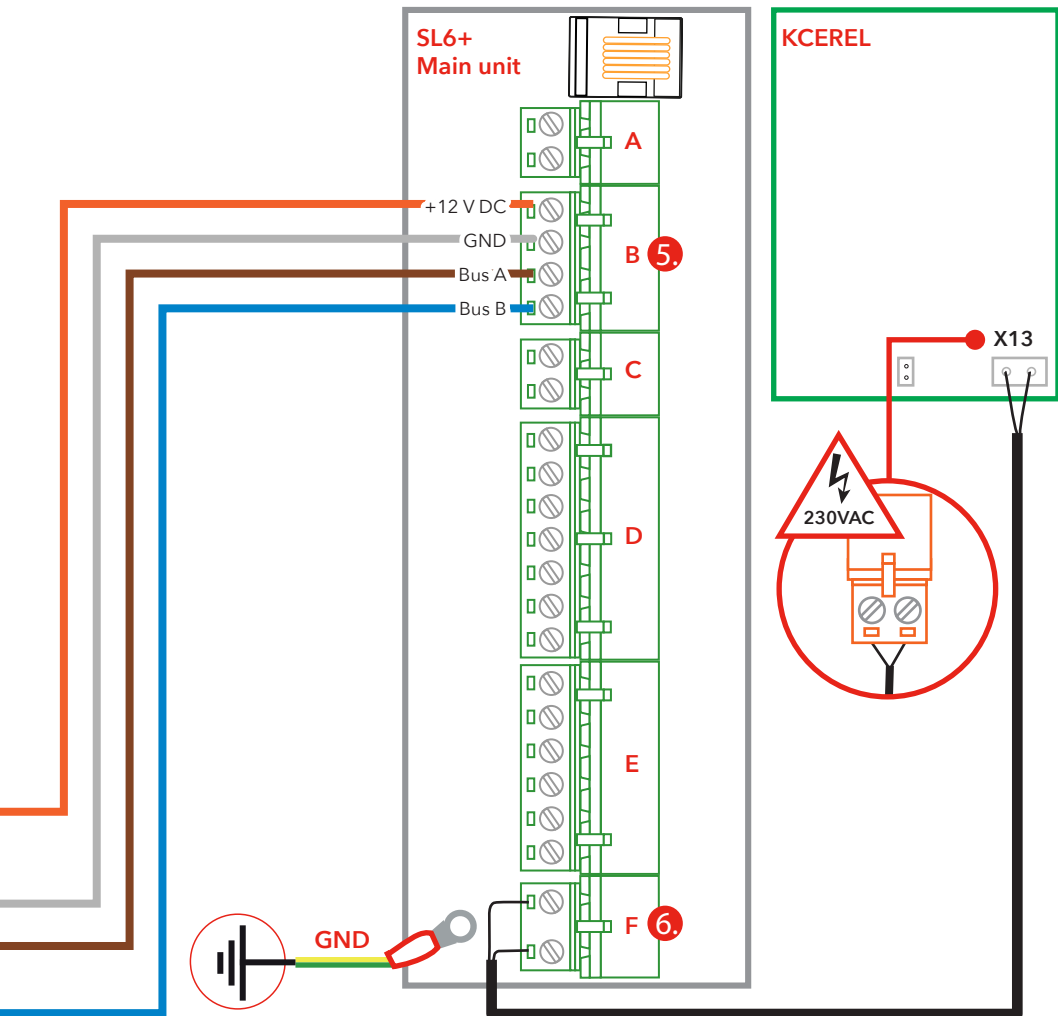
# Connecting SL6+ with KCE Cable

1. Remove cable from COP F2KMUL - J2 and connect to KCE connection board.
2. Connect cable from KCE connection board to COP F2KMUL
3. Connect:  
Red: Button  
Yellow: Pictogram yellow  
Green: Pictogram green  
Grey: GND
4. Splice voice station cable to SL6+ and KCE connection board ground.
5. Connect to SL6+ plug B:  
Orange: +12 V DC  
Grey: GND  
Brown: Bus A  
Blue: Bus B
6. Connect 230 V AC to SL6+ plug F from X13



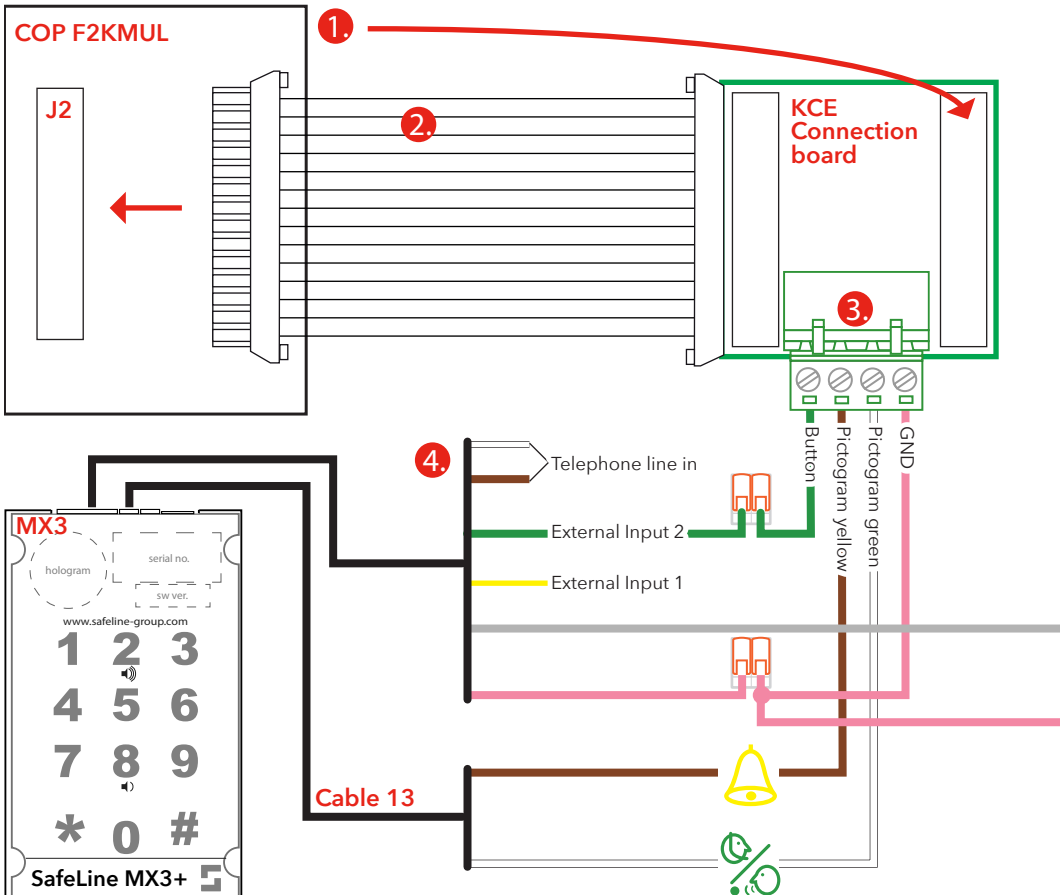
### Please note

- The wiring diagram use the lift's internal pictograms.
- All unused wires must be insulated to prevent short circuit.
- Existing emergency button is N/C, and is configured on the voice station.
- See the manual supplied together with the telephone for configuration.
- Pictogram outputs is to be configured according to "Strictly EN-81-28".
- Disconnect speaker in COP.



# Connecting MX3 with KCE Cable

1. Remove cable from COP F2KMUL - J2 and connect to KCE connection board.
2. Connect cable from KCE connection board to COP F2KMUL
3. Connect:  
Green: Button  
Brown: Pictogram yellow - Cable 13  
White: Pictogram green - Cable 13  
Pink: GND
4. Connect:  
Brown: Telephone line  
White: Telephone line
5. Connect to Power Supply:  
Pink: GND  
Grey: 10-30 V DC

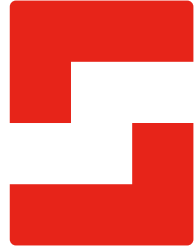


---

### Please note

- The wiring diagram use the lift's internal pictograms.
- All unused wires must be insulated to prevent short circuit.
- Existing emergency button is N/C, and is configured on the voice station.
- See the manual supplied together with the telephone for configuration.
- Pictogram outputs is to be configured according to "Strictly EN-81-28".
- Disconnect speaker in COP.



**SafeLine Headquarters**

Antennvägen 10 · 135 48 Tyresö · Sweden  
Tel.: +46 (0)8 447 79 32 · info@safeline.se  
Support: +46 (0)8 448 73 90

**SafeLine Denmark**

Vallensbækvej 20A, 2. th · 2605 Brøndby · Denmark  
Tel.: +45 44 91 32 72 · info-dk@safeline.se

**SafeLine Norway**

Solbråveien 49 · 1383 Asker · Norway  
Tel.: +47 94 14 14 49 · post@safeline.no

**SafeLine Europe**

Industrieterrein 1-8 · 3290 Diest · Belgium  
Tel.: +32 (0)13 664 662 · info@safeline.eu  
Support: +32 (0)4 85 89 08 95

**SafeLine Deutschland GmbH**

Kurzgewannstraße 3 · D-68526 Ladenburg · Germany  
Tel./Support: +49 (0)6203 840 60 03 · sld@safeline.eu

**SafeLine Group UK**

Unit 47 · Acorn Industrial Park · Crayford ·  
Kent · DA1 4AL · United Kingdom  
Tel.: +44 (0) 1322 52 13 96 · info@safeline-group.uk

SafeLine is a registered trademark of SafeLine Sweden AB. All other trademarks, service marks, registered trademarks, or registered service marks are the property of their respective owners.