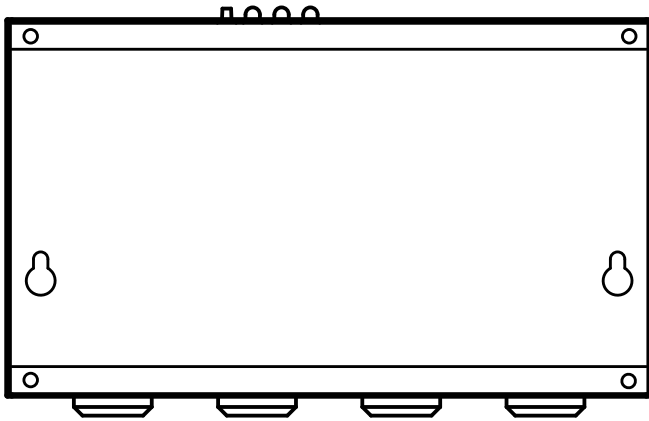


# BATT-52 manual



---

# Technical data

<b>Power supply:</b>	230 VAC
<b>Battery:</b>	12V, 2Ah
<b>Current consumption:</b>	Max. 50 mA
<b>Max output current:</b>	200 mA
<b>Size:</b>	141 x 223 x 86 mm (L x W x H)

---

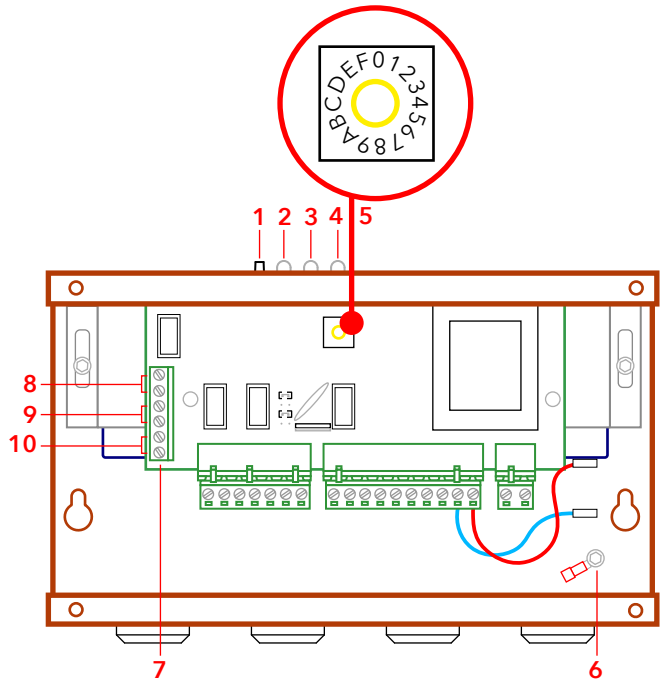
# Content

<b>Introduction</b>	<b>4</b>
Overview	4
<b>Operation</b>	<b>5</b>
Description of function	5
Wiring diagram	7

# Introduction

## Overview

1. Reset Button
2. LED  
For indication of battery control
3. LED  
For indication of voltage 230 V
4. LED  
For indication of alarms
5. For setting of alarm button delay
6. Connection for ground 230 VAC
7. Connection for SL500
8. Phone line in
9. Phone line out
9. Phone line out
10. Phone line from S-500



# Operation

## Description of function

### LED 1



Normal mode



Discharging



Battery alarm activated (Battery alarm relay activated)

### LED 2



Unit powered 230 V AC



Feed voltage missing, emergency light active



Emergency light not active

### LED 3



Emergency signal button pressed and the time for forwarding of alarms has not been attained.



Forwarding activated (alarm relay activated).

### The unit checks that the battery is connected.

If the battery is not connected or overly discharged, the battery alarm will be activated within 5 sec. This function starts when the battery has charged for at least 1 hours.

### Automatic battery check every 10 days.

The battery discharges approx. 0.3A during 30 minutes. If the battery voltage falls under 11.7V during this time, then the discharge will be discontinued and the battery alarmed will be activated.

### The unit has potential-free contacts.

1 alternating and 1 closed for forwarding of alarms.  
1 breaker contact for the battery alarm.

### The emergency light lasts 2 hours with a 10W lightbulb, even with a 2Ah battery.

This can be achieved by successively reducing the voltage to the emergency light. The voltage is reduced to 90 % after 30 minutes, thereafter reducing by 10 % every 30 minutes to a minimum of 50 %.

# Description of function continued

The old emergency signal bell models "fire alarm bells" should be replaced by new ones since spark discharges from the old models can destroy the relay mounted on the circuit board for the emergency signal.

Closed and breaker emergency signal buttons can be used. It is optional with 2 jumpers on the circuit card:  
For closed emergency signal button: jumper JP1 and JP3.  
For breaker emergency signal button: jumper JP2 and JP4.

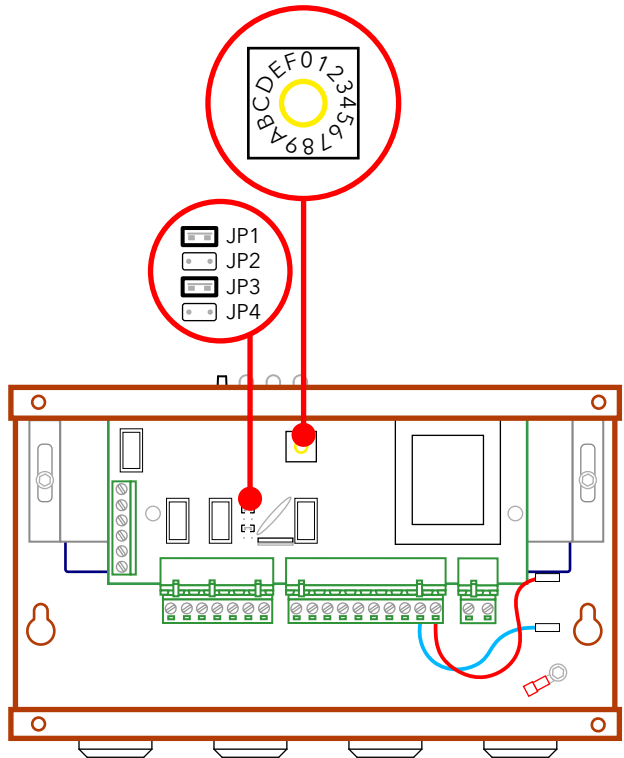
## Setting of delay

The control can be set from 0 to F.

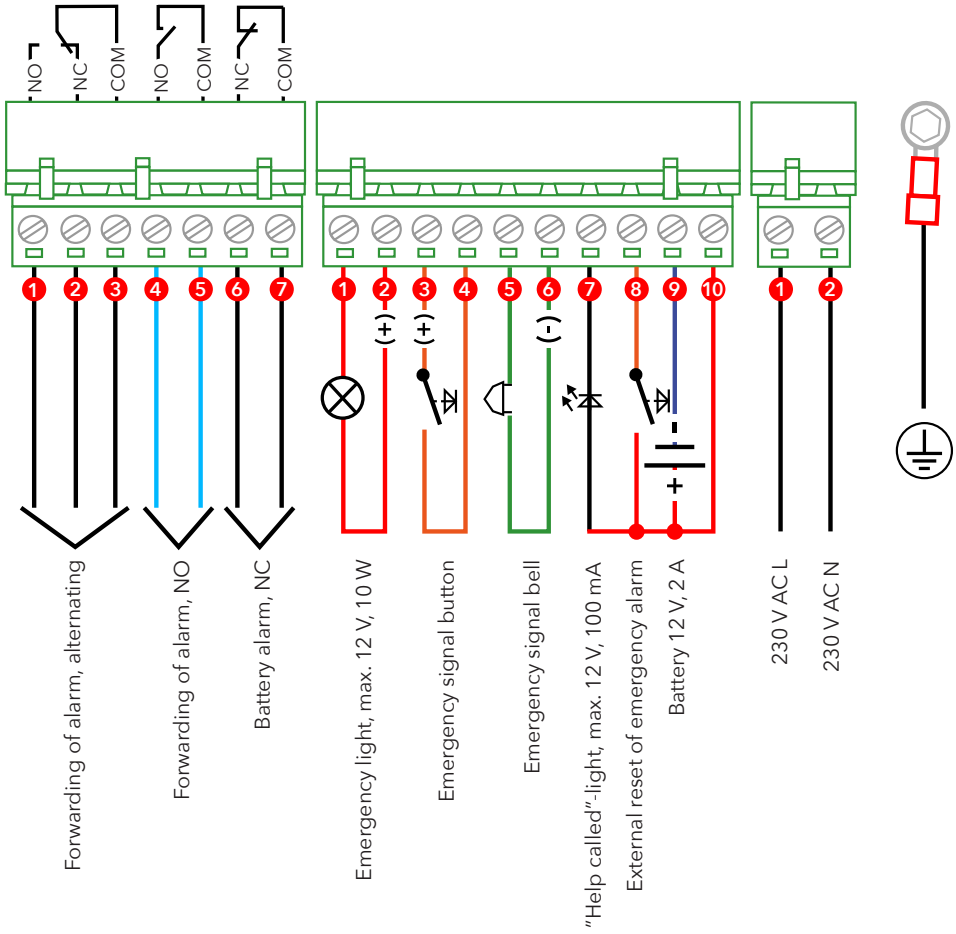
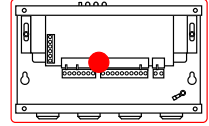
0 is 0 seconds,  
1 is 1 second,  
2 is 2 seconds,  
3 is 3 seconds,  
4 is 4 seconds,

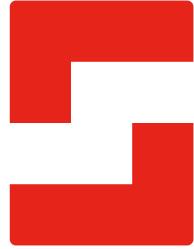
5 is 5 seconds,  
6 is 6 seconds,  
7 is 7 seconds,  
8 is 8 seconds,  
9 is 9 seconds,

A is 10 seconds,  
B is 11 seconds,  
C is 12 seconds,  
D is 13 seconds,  
E is 14 seconds,  
F is 15 seconds,



# Wiring diagram



**SafeLine Headquarters**

Antennvägen 10 · 135 48 Tyresö · Sweden  
Tel.: +46 (0)8 447 79 32 · info@safeline.se  
Support: +46 (0)8 448 73 90

**SafeLine Denmark**

Vallensbækvej 20A, 2. th · 2605 Brøndby · Denmark  
Tel.: +45 44 91 32 72 · info-dk@safeline.se

**SafeLine Norway**

Solbråveien 49 · 1383 Asker · Norway  
Tel.: +47 94 14 14 49 · post@safeline.no

**SafeLine Europe**

Industrierrein 1-8 · 3290 Diest · Belgium  
Tel.: +32 (0)13 664 662 · info@safeline.eu  
Support: +32 (0)4 85 89 08 95

**SafeLine Deutschland GmbH**

Kurzwannstraße 3 · D-68526 Ladenburg · Germany  
Tel.: +49 (0) 6203 840 60 03 · sld@safeline.eu

**SafeLine Group UK**

Unit 47 · Acorn Industrial Park · Crayford ·  
Kent · DA1 4AL · United Kingdom  
Tel.: +44 (0) 1322 52 13 96 · info@safeline-group.uk

SafeLine is a registered trademark of SafeLine Sweden AB. All other trademarks, service marks, registered trademarks, or registered service marks are the property of their respective owners.