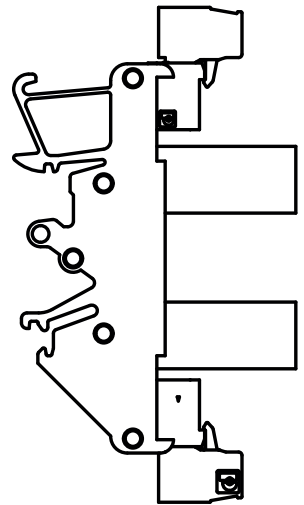
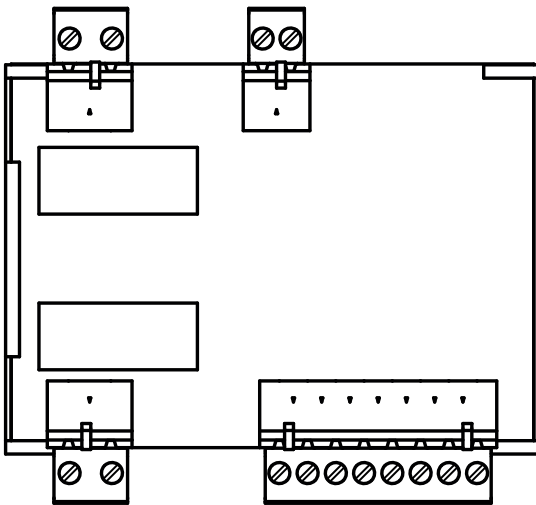


# SLDL Manual



---

# Content

## Introduction

Technical data	3
General information	4
SafeLine DL-CARD	5
Introduction	6

## Configuration

Configuration with SafeLine Pro	7
Fault codes	9

## Operating

Electric switches	10
-------------------	----

## Certification

Declaration of Conformity	11
---------------------------	----

---

# SafeLine SLDL

## Technical data

Power supply	24 VDC
Current consumption	max 50mA
Size (HxWxD)	96x89x50,75mm
Weight	250g

---

# General information

This unit was built with state-of-the-art technology and to generally recognised safety related technical standards currently applicable. These installation instructions are to be followed by all people working with the unit, in both installation and maintenance.

It is extremely important that these installation instructions are made available at all times to the relevant technicians, engineers or servicing and maintenance personnel. The basis prerequisite for safe handling and trouble free operation of this system is a sound knowledge of the basic and special safety regulations concerning conveyor technology, and elevators in particular. The unit may only be used for its intended purpose. Note in particular that, no unauthorised changes or additions may be made inside the unit or individual components.

## Exclusion of liability

The manufacturer is not liable with respect to the buyer of this product or to third parties for damage, loss, costs or work incurred as a result of accidents, misuse of the product, incorrect installation or illegal changes, repairs or additions. Claims under warranty are likewise excluded in such cases. The technical data is the latest available. The manufacturer accepts no liability arising from printing errors, mistakes or changes.

## Declaration of conformity

Download "The declaration of conformity" at our website:  
[www.safeline-group.com](http://www.safeline-group.com)

## Safety Precautions!

- Only trained professionals, who are authorised to work on the equipment, should install and configure this product.
- This quality product is dedicated for the lift industry. It has been designed and manufactured to be used for its specified purpose only. If it is to be used for any other purpose, SafeLine must be contacted in advance.
- It should not be modified or altered in any way, and should only be installed and configured strictly following the procedures described in this manual.
- All applicable health and safety requirements and equipment standards should be considered and strictly adhered to when installing and configuring this product.
- After installation and configuration this product and the operation of the equipment should be fully tested to ensure correct operation before the equipment is returned to normal use.

Electrical and electronic products may contain materials, parts and units that can be dangerous for the environment and human health. Please inform yourself about the local rules and disposal collection system for electrical and electronic products. The correct disposal of your old product will help to prevent negative consequences for the environment and human health.

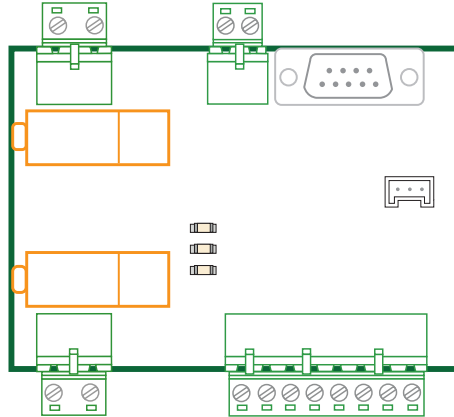


# SafeLine DL-card

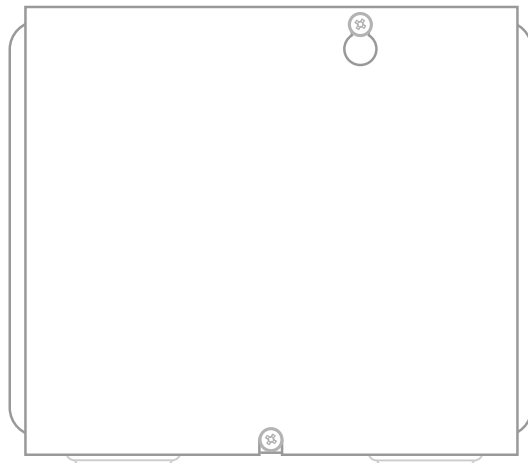
SLDL comes in two variants; one with only the card and one where the card is enclosed in a housing.

The same card is used for the two variants, which means that both devices have the same functionality and are connected in the same way. When referring to the SLDL in this manual, the images will only show the SLDL-card, and not the enclosed variant.

**\*SLDL**  
Only the card.



**\*SLDL-FC**  
The card enclosed in a housing.



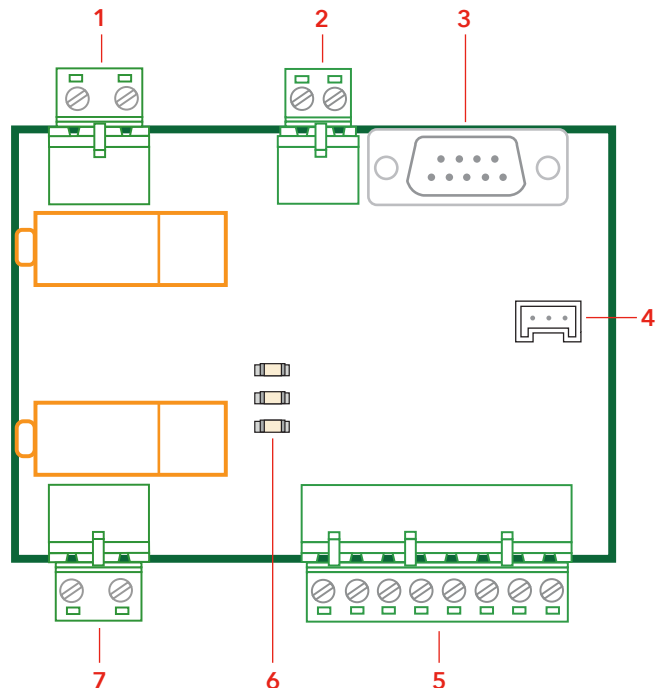
# Introduction

The operational alarm card, together with a SL6, SL3000, SL2000 or MX can transmit detailed information from the lift, e.g. if the lift has stopped or if it requires service.

This information can be sent to our alarm receiver SafeLine Call Center (SLCC) which further transmits the information as an e-mail or SMS.

## Components

1. 230 VAC Input 2.
2. Power supply 24 VDC.
3. RS232 to SafeLine unit.
4. RS232 PC connection - For configuration.
5. Terminal for inputs (12-24 VDC, max 50 mA).
6. LED's
  - A green LED flashes during normal operation.
  - A yellow LED flashes one time when an event is sent to the SafeLine.
  - A red LED flashes when the alarm transfer is not functioning (no contact) with a SafeLine unit (SL6, SL3000, SL2000 or MX) or a fault has occurred in the transmission to the SLCC.
7. 230 VAC Input 1.



---

# Configuration with SafeLine Pro

## **Code:**

Selects fault code/message which is to be shown on the Alarm receiver SLCC. See "Fault codes for SafeLine DL".

## **Value:**

Value on counter in time or pulses.

## **Min/Sec:**

Select which type of time is to be used for the transmission of alarm/message.

## **Counts:**

Selects pulse counter instead of time counter, can e.g. be used as a start counter.

## **Type:**

N/O: Normally open contact.

N/C: Normally closed contact.

## **Alarm blocking:**

Blocks all alarms from being transmitted. Can only be used on input 7. Can for example be used to indicate that someone is servicing the lift (Ongoing service).

## **Deactivation code:**

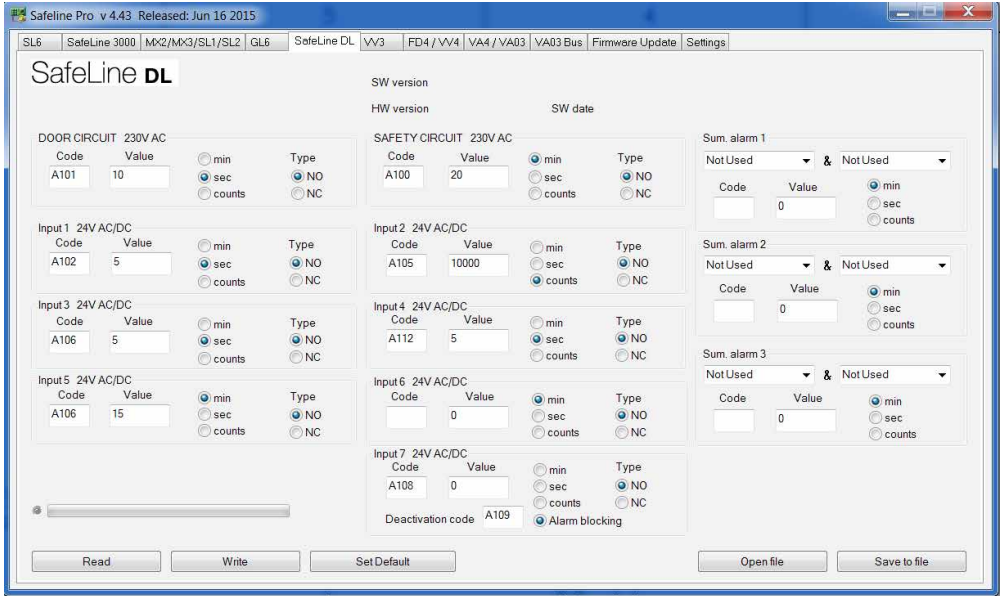
Alarm on resetting of the input.

## **Input 7 can be used to advantage for:**

"Ongoing service" and "Service completed".

All alarms are then shut down during servicing and a message is sent when the service is completed.

# Configuration with SafeLine Pro





---

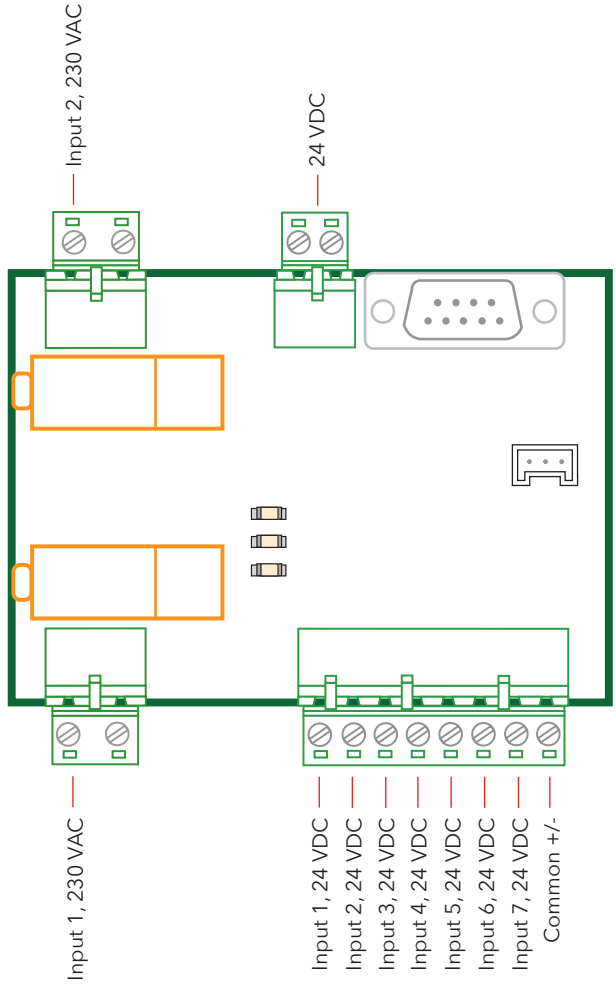
# Fault codes

Personal codes and explanations can be used, please refer to the manual for SLCC for more information.

---

A100	Safety circuit fault
A101	Door closing fault
A102	Break down alarm from the lift
A103	Brake monitoring fault
A104	Pulse sensor fault
A105	Start counter exceeded
A106	Temperature monitoring of apparatus cabinet
A107	Fire alarm from lift
A108	Ongoing service
A109	Service completed
A110	Limit circuit breaker affected
A111	Shaft door fault
A112	Photocell fault
A113	Drive system fault
A114	Anti-creep contact fault
A115	Concealed door circuit fault
A116	Overload in lift
A117	Start control fault
A118	Reduction breaker fault
A119	Lock contact(s) fault
A120	Run-time monitoring Floor-Floor
A124	Phase monitoring fault
A125	Door circuit broken during travel
A126	Lock circuit broken during travel
A127	Lock circuit broken during travel

# Electric switches



## EU Declaration of Conformity

Product: Monitoring board for lifts  
Type / model: **SLDL**  
Article no: \*SLDL, \*SLDL-FC  
Manufacturer: SafeLine Sweden AB  
Year: 2017

We herewith declare under our sole responsibility as manufacturer that the products referred to above complies with the following EC Directives:

### Directives

---

Electro Magnetic Compatibility:	2014/30/EU
RoHS 2:	2011/65/EU

### Standards applied

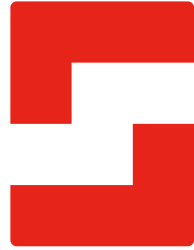
---

EN 12015:2014	EMC: Emission, Electromagnetic compatibility
EN 12016:2013	EMC/Lifts: Immunity, Electromagnetic compatibility
EN 50581:2012	RoHS: Technical doc. for assessment of restriction of RoHS.

Tyresö, 2017-04-07



Lars Gustafsson,  
Technical Manager, R&D, SafeLine Group



### **SafeLine Headquarters**

Antennvägen 10 · 135 48 Tyresö · Sweden  
Tel.: +46 (0)8 447 79 32 · [info@safeline.se](mailto:info@safeline.se)  
Support: +46 (0)8 448 73 90

### **SafeLine Denmark**

Erhvervsvej 19 · 2600 Glostrup · Denmark  
Tel.: +45 44 91 32 72 · [info-dk@safeline.se](mailto:info-dk@safeline.se)

### **SafeLine Norway**

Solbråveien 49 · 1383 Asker · Norway  
Tel.: +47 94 14 14 49 · [post@safeline.no](mailto:post@safeline.no)

### **SafeLine Europe**

Industrierrein 1-8 · 3290 Diest · Belgium  
Tel.: +32 (0)13 664 662 · [info@safeline.eu](mailto:info@safeline.eu)  
Support: +32 (0)4 85 89 08 95

### **SafeLine Deutschland GmbH**

Kurzgewannstraße 3 · D-68526 Ladenburg · Germany  
Tel.: +49 (0) 6203 840 60 03 · [sld@safeline.eu](mailto:sld@safeline.eu)

### **SafeLine Group UK**

Unit 47 · Acorn Industrial Park · Crayford ·  
Kent · DA1 4AL · United Kingdom  
Tel.: +44 (0) 1322 52 13 96 · [info@safeline-group.uk](mailto:info@safeline-group.uk)

SafeLine is a registered trademark of SafeLine Sweden AB. All other trademarks, service marks, registered trademarks, or registered service marks are the property of their respective owners.